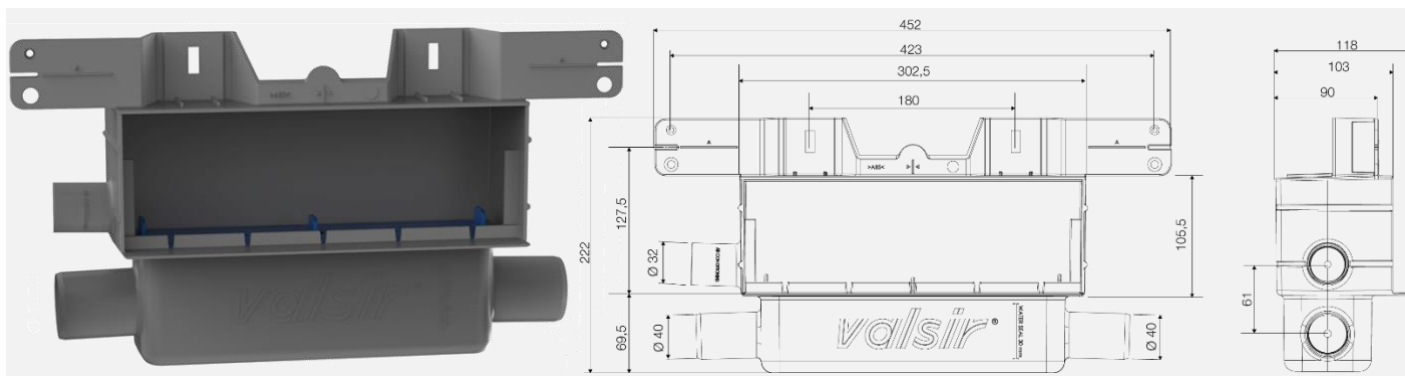


X-WALL30

WALL TRAP FOR FLOOR-LEVEL SHOWER



USAGE:

- Floor level shower trap
- Condensation drain for air conditioning systems
- Installation with screeds ≥ 70 mm high
- Finishing thickness above the screed ≤ 22 mm

FEATURES:

- Wall installation
- Possibility of outlet on both sides
- Removable hydraulic seal
- Pre-glued waterproofing sheet

GENERAL INFORMATION

| | |
|------------------------------|--|
| Code | VS0701870 (masonry) VS0701874 (plasterboard) VS0701872 (MFV) |
| Outlet diameter | 40 mm |
| Condensation drain diameter | 32 mm (with special accessory) |
| Body material | ABS |
| Waterproofing sheet material | PP/TPE |

PACKAGE CONTENTS

| | VS0701870 | VS0701874 | VS0701872 |
|-------------------------------------|-----------|-----------|-----------|
| Drain body with waterproofing sheet | √ | √ | √ |
| Hydraulic seal | √ | √ | √ |
| Support brackets | √ | | |
| Floor fixing screws | √ | | |
| Clamps for MFV fixing | | | √ |

ACCESSORIES (Optional)

| | Code |
|-----------------------------------|-----------|
| Condensation drain connection D32 | VS0701114 |
| Plate in steel, polished | VS0701890 |
| Plate in steel, satin | VS0701891 |

TECHNICAL DATA

| | |
|-----------------------|---------|
| Flow rate | 0.6 l/s |
| Hydraulic seal height | 30 mm |

