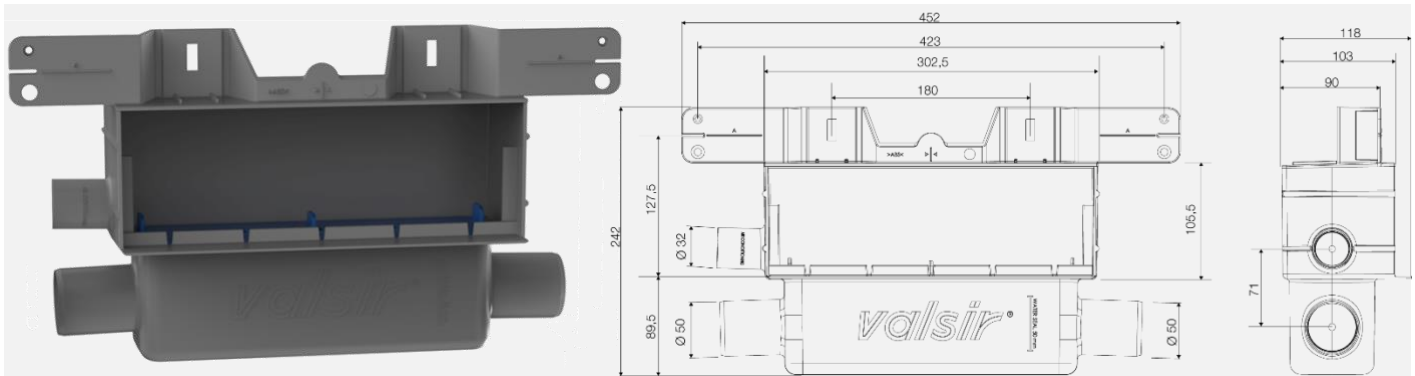


# X-WALL50

## WALL TRAP FOR FLOOR-LEVEL SHOWER



### USAGE:

- Floor level shower trap
- Condensation drain for air conditioning systems
- Installation with screeds  $\geq 90$ mm high
- Finishing thickness above the screed  $\leq 17$ mm

### FEATURES:

- Wall installation
- Possibility of outlet on both sides
- Removable hydraulic seal
- Pre-glued waterproofing sheet
- Compliant with EN 1253-1
- Complies with EN 274

### GENERAL INFORMATION

Code	VS0701871 (masonry) VS0701875 (plasterboard) VS0701873 (MFV)
Outlet diameter	50 mm
Condensation drain diameter	32 mm (with special accessory)
Body material	ABS
Waterproofing sheet material	PP/TPE

### PACKAGE CONTENTS

	VS0701871	VS0701875	VS0701873
Drain body with waterproofing sheet	√	√	√
Hydraulic seal	√	√	√
Support brackets and floor fixing screws	√		
Clamps for MFV fixing			√

### ACCESSORIES (Optional)

	Code
Condensation drain connection D32	VS0701114
Plate in steel, polished	VS0701890
Plate in steel, satin	VS0701891

### TECHNICAL DATA

Flow rate	0.8 l / s
Hydraulic seal height	50 mm

