



ARIOSAHV

The new Valsir machine
for HRV system

valsir[®]
QUALITY FOR PLUMBING

MADE IN ITALY



ARIOSAHV

Total control. Absolute comfort.

The growing importance of heat recovery ventilation systems is related both to energy efficiency and the search for comfort and healthiness in modern buildings.

Ariosa HV is the latest frontier of Valsir's HRV units.

The unit is intended for residential applications and can be installed horizontally (in a false ceiling) or vertically (anchored to a wall).

High efficiency, low consumption and an extremely advanced control system are just some of the features that make the Ariosa HV unit unique.



Available in 170 and 250 m³/h models for residential areas up to more than 185 m².



Maximum efficiency with the possibility of sensible or enthalpy heat exchanger depending on the needs.



Absolute installation flexibility thanks to swivel connectors.



Small overall dimensions for installation in any context.



Advanced and SMART management with total control via App.



CHARACTERISTICS



DIMENSIONS

120x80x21 cm

SIZES

170 m³/h - 250 m³/h

VERSIONS

Sensitive - Enthalpic

INSTALLATIONS

Ceiling - Wall

Ceiling installation

Ariosia HV is Valsir's solution designed for false ceiling installations. With 21 cm thickness, it fits into even the smallest spaces. Lightweight and practical to handle, its installation is extremely easy too. A single model, which can be installed in right- or left-hand configuration, allows for the best possible management of connections to the outside and inside of the house.

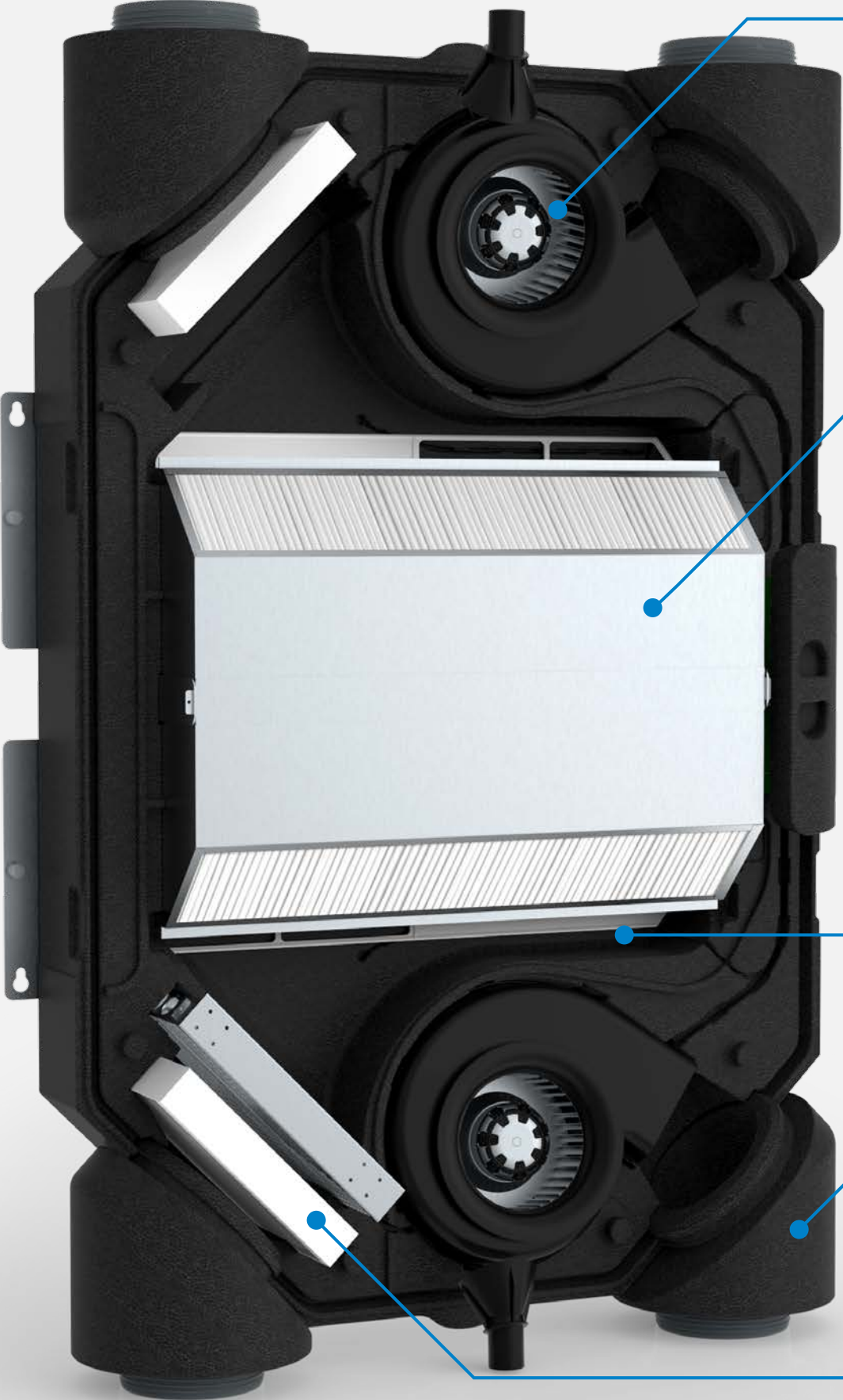


Vertical wall installation

The flexibility of Ariosia HV allows vertical wall installation. Thanks to the swivel connections, the direction of pipes can be easily adapted, allowing for quick and functional installation while minimising the number of fittings required.



COMPONENTS





Fans

Innovative electronic fans equip the two Ariosa HV models with flow rates of 170 and 250 m³/h, respectively. Constant flow rate operation ensures the right amount of air inside in every type of building.



Recovery unit

The materials, geometries and dimensions of the exchanger enable very high performance in terms of heat exchange and energy efficiency. Depending on requirements and climatic conditions, it is possible to choose either the sensible or enthalpy model for maximum comfort.



Bypass

The bypass system is designed to ensure maximum energy efficiency. An advanced control system enables its operation by optimising efficiency according to internal and external temperature and humidity conditions.



Swivel connections

The possibility of rotating each of the 4 connections makes installation flexible due to the many possible configurations. An optimal appearance to meet all installation needs.



Filters

Equipped with high-performance filters, Ariosa HV ensures comfort and healthiness in the house. The advanced electronic management system indicates when the filters need to be cleaned or replaced by recognising the cleanliness conditions.

FUNCTIONS

Advanced operation control

The use of Ariosa HV could not be simpler or more flexible.

The latest generation electronics designed for the HRV units allow the machine control, as well as the monitoring of a number of parameters, through the LCD panel, or with the App that can be freely downloaded from the App store and Play store.

Thanks to the Wi-Fi module and the dedicated Valsir application, it is possible to check the unit operating status and change its settings) even when away from home, operating in manual mode or with daily or weekly time schedules.

Initial start-up operations are simple and step-by-step guided, allowing the setting of all parameters required for optimal operation of Ariosa HV.

The internal software allows constant monitoring of indoor and outdoor temperature and humidity conditions to better manage living comfort.

At the same time, it allows constant monitoring of the machine operation, with real-time indication of the need to clean filters or carry out maintenance work.

In order to ensure the pairing and management of the HRV system with building home automation management systems, an interface with Modbus communication is present on all Ariosa HV models.



Accessories

A number of accessories can be combined and managed by Ariosa HV.

Air quality probes allow monitoring the operation of the unit in relation to pollutant concentrations. For pre-heating management, electric heaters can be installed inside the unit.

Additional accessories are dedicated to the post-treatment (heating or cooling) of the air entering the house and the management of any dehumidification units or modules.





WASTE SYSTEMS



SUPPLY SYSTEMS



GAS SYSTEMS



FLUSHING SYSTEMS



BATHROOM SYSTEMS



TRAPS



RADIANT SYSTEMS



DRAINAGE SYSTEMS



HRV SYSTEM



ACADEMY



SEWER SYSTEMS



WATER TREATMENT



valsir[®]
QUALITY FOR PLUMBING



L02-991/1 - Luglio 2023



VALSIR S.p.A. - Società a Socio Unico
Località Merlaro, 2
25078 Vestone (BS) - Italy
Tel. +39 0365 877.011
Fax +39 0365 81.268
e-mail: valsir@valsir.it
www.valsir.it

Soggetta all'attività di direzione e coordinamento ex art. 2497 bis C.C. da parte di Silmar Group S.p.A. - Codice Fiscale 02075160172